



ESTATE
BY PIONEER

BRENTWOOD SERIES #12118-H40

PARTS BREAKDOWN SHEET

DESCRIPTION

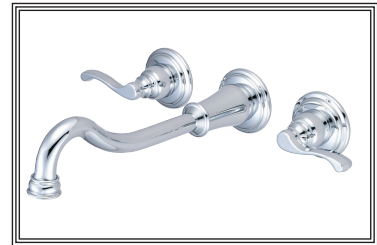
- Two Handle Lavatory Wall-mount Vessel Filler
- Brentwood Beaux Lever Handles
- Brentwood Series Spout
- 11" Reach
- Ceramic Disc Cartridge
- Includes Valve And Mounting Plate

FINISHES

- PC PVD Polished Chrome
- BN PVD Brushed Nickel
- TB PVD Tuscany Bronze

FLOW

- Aerator Limited to 2.0 GPM Flow Rate



#12118-H40 SHOWN * ADA 

STANDARDS APPLICABLE

- ASME A112.18.1
- ANSI A117.1
- ANSI / NSF 61, SECTION 9
- CUPC / IAPMO LISTED / ADA COMPLIANT
- CONTAINS NO MORE THAN 0.25% WEIGHTED AVERAGE LEAD CONTENT

Model #: _____

Specific Features: _____

Project Name: _____

Submitted For: _____

| Model | Description | Finishes | |
|------------|---|----------|---------|
| | | PC | Other__ |
| #12118-H40 | Two Handle Lavatory Wallmount Vessel Filler | | |

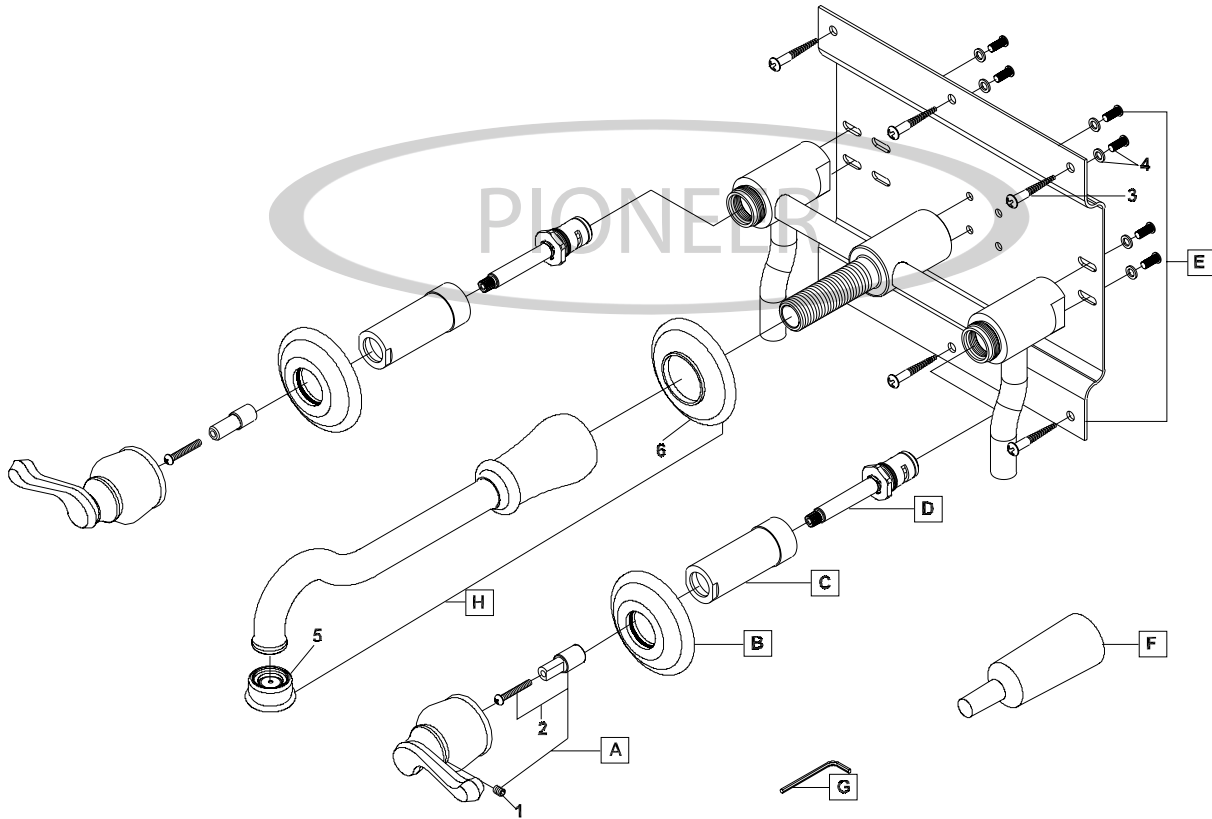
ESTATE
BY PIONEER

Pioneer:1-800-338-9468
Commerce, CA 90040
www.estatebypioneer.com
Pioneer Industries, Inc. © 2009

DMPB12118-H40/REV. 12 2009
Page 1 of 2

| | ITEM# | DESCRIPTION |
|---|---------------|---------------------------------------|
| A | X-1300012C,H* | Brentwood Beaux Lever Handle-Cold,Hot |
| B | X-4300030* | Valve Escutcheon |
| C | X-4300027* | Valve Sleeve |
| D | X-3300002C,H | Ceramic Disc Cartridge-Cold,Hot |
| E | X-4900054 | Mounting Bracket With Screws |
| F | X-4900059 | Valve mud guard |
| G | X-4900024 | 3/32" Allen Screw |
| H | X-2300008* | Brentwood 11" Spout Set |
| 1 | X-4900002 | 3/32" Allen Screw |
| 2 | X-4300048 | Handle Adapter |
| 3 | X-4900055 | Mounting Screw |
| 4 | X-4900056 | Mounting Screw & Washer |
| 5 | X-4900031* | 2.0 GPM Aerator |
| 6 | X-4300031* | Spout Escutcheon |

* Note- Please Specify finish/color code while ordering.



Product Diagram

ESTATE
BY PIONEER

Pioneer:1-800-338-9468
Commerce, CA 90040
www.estatebypioneer.com
Pioneer Industries, Inc. © 2009