



ESTATE
BY PIONEER

BRENTWOOD SERIES #12116-H40

PARTS BREAKDOWN SHEET

DESCRIPTION

- Two Handle Lavatory Wall-mount Vessel Filler
- Brentwood Beaux Lever Handles
- Brentwood Series Spout
- 9" Reach
- Ceramic Disc Cartridge
- Includes Valve And Mounting Plate

FINISHES

- PC PVD Polished Chrome
- BN PVD Brushed Nickel

FLOW

- Aerator Limited to 2.0 GPM Flow Rate



#12116-H40 SHOWN * ADA 

STANDARDS APPLICABLE

- ASME A112.18.1
- ANSI A117.1
- ANSI / NSF 61, SECTION 9
- CUPC / IAPMO LISTED / ADA COMPLIANT
- CONTAINS NO MORE THAN 0.25% WEIGHTED AVERAGE LEAD CONTENT

Model #: _____

Specific Features: _____

Project Name: _____

Submitted For: _____

Model	Description	Finishes	
		PC	Other__
#12116-H40	Two Handle Lavatory Wallmount Vessel Filler		

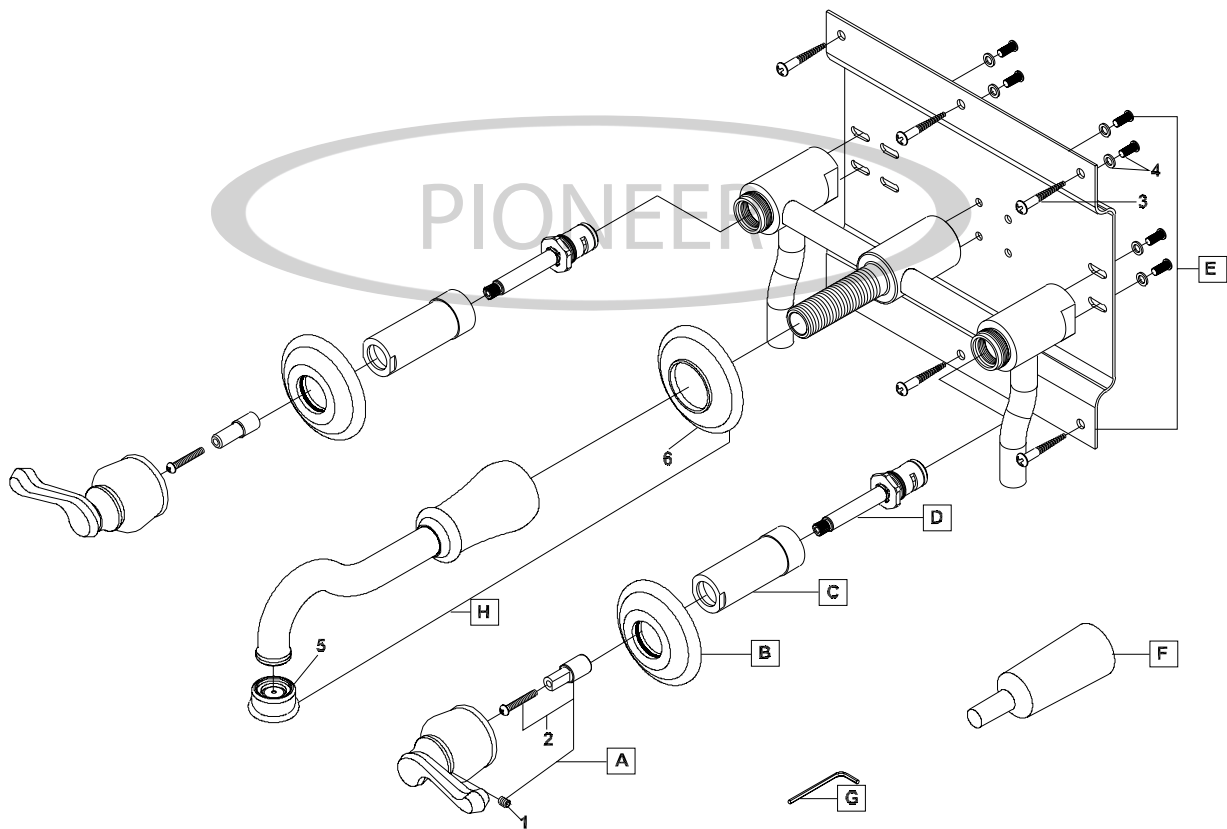
ESTATE
BY PIONEER

Pioneer:1-800-338-9468
Commerce, CA 90040
www.estatebypioneer.com
Pioneer Industries, Inc. © 2009

DMPB12116-H40/REV. 12 2009
Page 1 of 2

	ITEM#	DESCRIPTION
A	X-1300012C,H*	Brentwood Beaux Lever Handle-Cold,Hot
B	X-4300030*	Valve Escutcheon
C	X-4300027*	Valve Sleeve
D	X-3300002C,H	Ceramic Disc Cartridge-Cold,Hot
E	X-4900054	Mounting Bracket With Screws
F	X-4900059	Valve mud guard
G	X-4900024	3/32" Allen Screw
H	X-2300007*	Brentwood 9" Spout Set
1	X-4900002	3/32" Allen Screw
2	X-4300048	Handle Adapter
3	X-4900055	Mounting Screw
4	X-4900056	Mounting Screw & Washer
5	X-4900031*	2.0 GPM Aerator
6	X-4300031*	Spout Escutcheon

* Note- Please Specify finish/color code while ordering.



Product Diagram

ESTATE
BY PIONEER

Pioneer:1-800-338-9468
Commerce, CA 90040
www.estatebypioneer.com
Pioneer Industries, Inc. © 2009

DMPB12116-H40/REV. 12 2009
Page 2 of 2