



ESTATE

BY PIONEER

Distinctive Living Redefined

Installation Guide

Two Handle Lavatory Faucet:

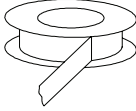
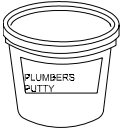
- 14452-H10*
- 14452-H20*
- 14452-H30
- 14452-H40*
- 14455-H10*
- 144580-H51*
- 14455-H20*
- 14455-H30
- 14455-H40*
- 14457-H10*
- 14457-H20*
- 14457-H30
- 14457-H40*
- 144590-H51*
- 125310-H61*

This product meets the following standards:

- ASME A112.18.1
- ANSI A117.1
- ANSI / NSF 61, SECTION 9
- CUPC / IAPMO LISTED / *ADA COMPLIANT
- CONTAINS NO MORE THAN 0.25% WEIGHTED AVERAGE LEAD CONTENT

Thank you for purchasing this pioneer quality product.

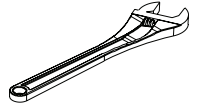
Tools Required



Teflon Tape



Rags



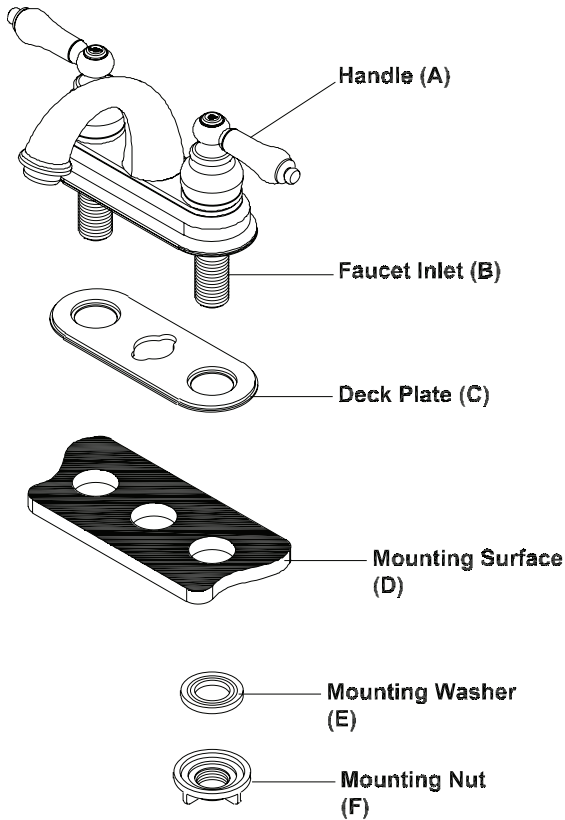
Adjustable-
Wrench

Prior to Installation

- Observe all local plumbing and building codes before you begin installation.
- Carefully shut off both hot and cold water supplies from under the sink.
- Plug the sink drain with a soft cloth to prevent intrusion of debris or the loss of any faucet parts.
- For replacement installations, carefully remove the existing faucet and clean the entire surface of the sink mounting holes.
- Pioneer reserves the right to make changes in the design of faucets without notice as specified in the Pricebook.

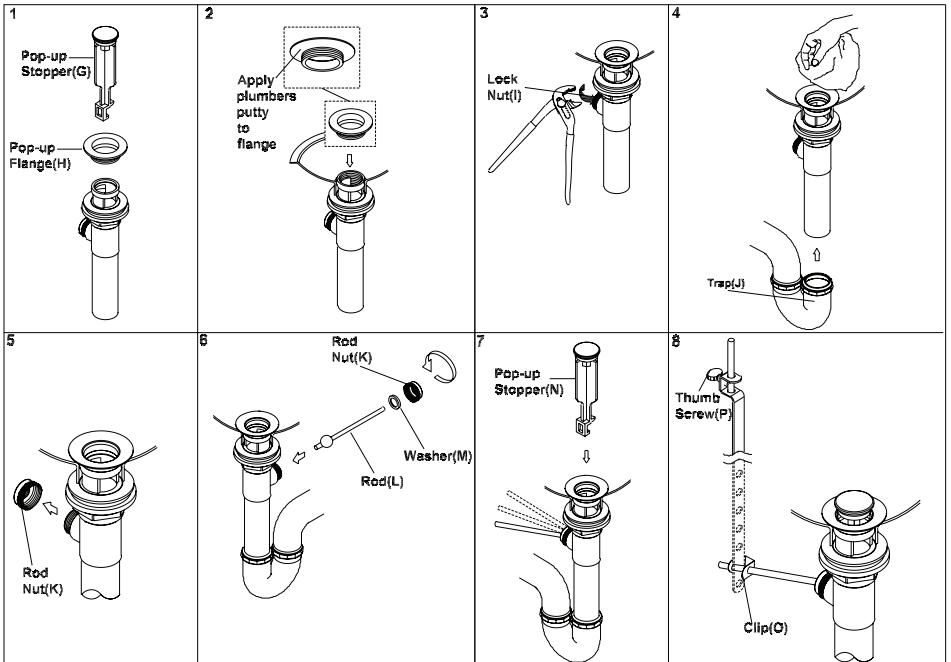
Faucet Installation

- Clean the mounting surface (D) If necessary.
- Apply adequate plumbers putty along the boundary of the deck plate (C).
- Insert faucet inlet (B) through the mounting surface (D)
- Slide mounting washer (E) along the faucet Inlet (B).
- Thread the mounting nut (F) to secure faucet to the mounting surface (D), do not overtighten.
- If the handle (A) is supplied separately in the box then install the handle (A) either with philips head screwdriver from top or 3/32" allen wrench depending on the handle.



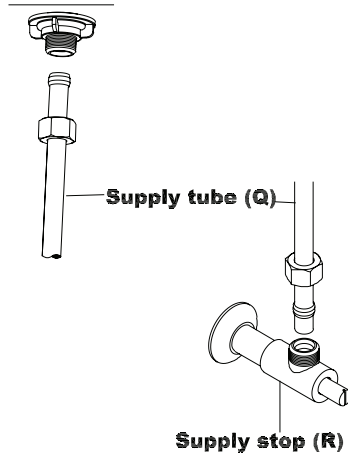
Pop-Up Drain Installation

1. Remove the pop-up stopper (G) and pop-up flange (H) from the pop-up assembly.
2. Apply adequate amount of plumbers putty underside of pop-up flange(H). Then insert pop-up drain assembly from underside of the sink and secure the pop-up flange (H) from the top.
3. Rotate the drain body so that horizontal rod hole faces back of the faucet. Hold the pop-up assembly in place and tighten the locknut (I).
4. Remove the excess putty. Connect the trap(J). (check manufacturer's instructions for installation)
5. Remove rod nut (K).
6. Ensure the washers (M) is in place (for Brass Pop-Up Only). Insert rod (L). Tighten the rod nut(K).
7. Push rod down to open drain. Insert the pop-up stopper (G) carefully. Test if the pop-up stopper (G) is working properly.
8. Connect pop-up bracket to the rod using clip (O). Tighten the thumbscrew (P) to connect pop-up bracket to pop-up lift rod.



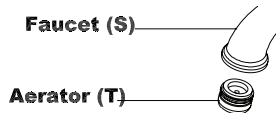
Main Supply Connection

- Use supply tube (Q) to connect the faucet inlet to the supply stop (R) (left is hot water supply and right is cold water supply)



Final Product Installation

- Turn on water. Check of any leaks. Make sure all the connection are secure.
- Remove aerator (T).
- Make sure the pop-up drain is open.
- Open both hot and cold handles.
- Flush and allow water to run at full flow for at least one minute.
- Replace aerator (T).



For more care information or trouble shooting inquiries about your Pioneer Product, please see the contact information on the back page.

ESTATE
BY PIONEER
Distinctive Living Redefined

3325 S. Garfield Ave | City of Commerce, CA 90040
Telephone: (800) 338-9468 | (323) 888-8873 | Fax: (323) 888-9515
Hours: M - F, 7:30am to 5:00pm PST